

GLOSSWOOD®

PREFINISHED TIMBER LINING BOARDS
& ACOUSTIC PANELS

HOW TO INSTALL GLOSSWOOD PREFINISHED ACOUSTIC PANELS

Glosswood Acoustics Panels for walls and ceiling come pre-fabricated and pre-finished for easy installation. Our Acoustics Panels can be fixed to ceiling rafters, suspended ceilings, joists, trusses, wall framing (stud wall) or battens attached to masonry walls.

WHAT YOU WILL NEED



Electric Drill



Fine Tooth Circular Saw



G Clamp

ALSO

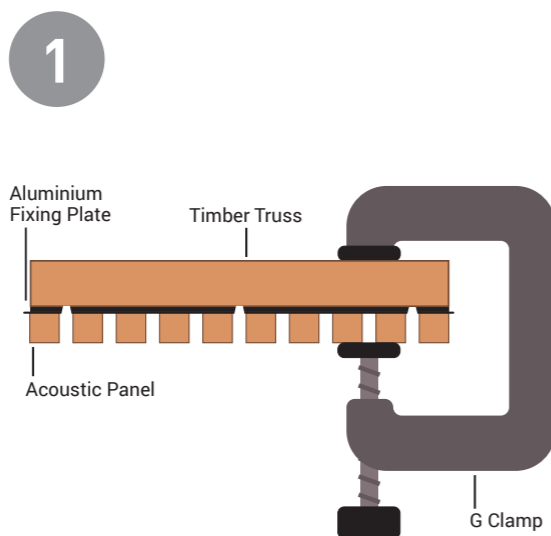
- End Sealer (supplied by Glosswood) Note: Only for Matte Range.
- Posi Drive Extension Bit
- Spirit Level
- String Line
- Tape Measure
- Fixing Screws (supplied by Glosswood)

Please speak to the Glosswood team in regards to batten profiles and sizes, panel dimensions, colour selection and optional acoustic matting. The Acoustic Panels require more dialogue with the installer to ensure the bracket spacing and set out is done correctly.

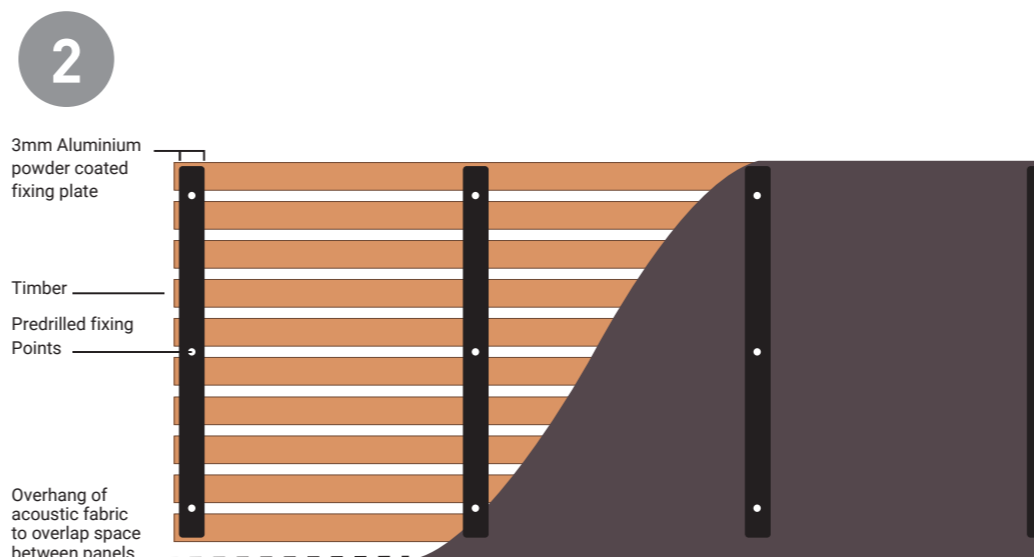
Board Size Coverage

.368mm .380mm

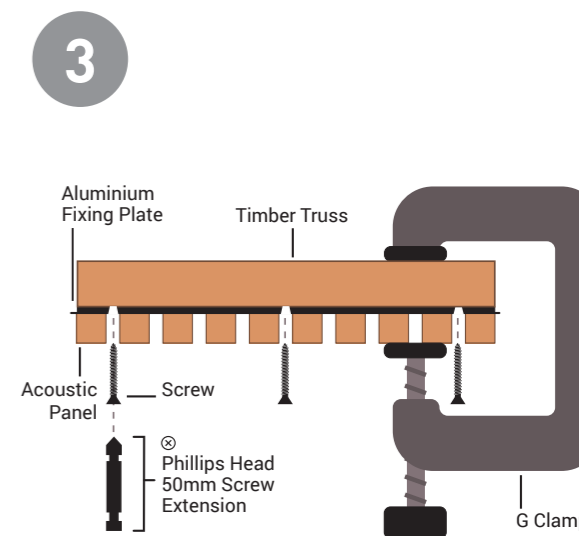
1.368m² per panel
(Based on a 3.6m panel Length)



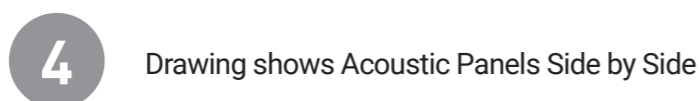
Position the Acoustic Panel and G Clamp the panel into position. NOTE: Do not clamp too tight as this may cause damage.



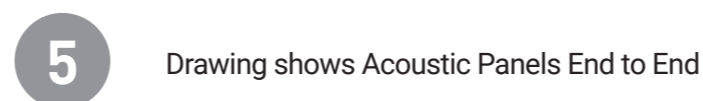
Locate the Fixing plates. Screw the centre screws first, which will hold the panel into position allowing the remainder of fixing screws to be fitted. NOTE: A posi drive screw extension must be used to ensure no contact is made with the drill



Fix Panel to ceiling (Timber Truss' or to a suspended ceiling furring channel).



Use spacer block for location position of panels. Place the spacer block between the first panel and the next panel, to allow a 12mm gap.



Glosswood recommends an expansion joint between panel ends.

INSTALLATION TIP

There is no need for purpose built inspection holes. The Acoustic Panels can be easily removed for access to services

*Refer to Installation & Maintenance Guide before installing Glosswood